



# INDUSTRIAL FITTINGS



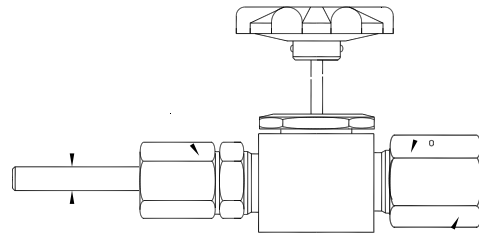
## DIAPHRAGM TAP type RIM

### DESCRIPTION

The diaphragm tap type RIM is a hand operating special fitting, opening / closing product, for isolation the pressure from the measuring and transmission instruments.

### TECHNICAL DATA

Nominal diameter : 2 mm  
Working pressure : (0,5 ... 40) bar  
Fluid temperature : (-20 ... +200)°C  
Connection type : G1/2"  
Weight : 0,38 kg  
Material : OL42=RIM-1; V2A (V4A)=RIM-2; CuZn39Pb2=RIM-3.



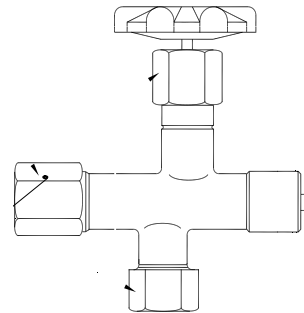
## NEEDLE VALVE WITH THREE - WAYS type R3a-2F

### DESCRIPTION

Needle valve with three ways is a hand operating fitting, used in installations in which manometers are mounted.

### TECHNICAL DATA

Nominal diameter : 4 mm  
Nominal pressure : 40 bar  
Working temperature : max. +150°C  
Connection type : G 1/2"  
Weight : 1 kg



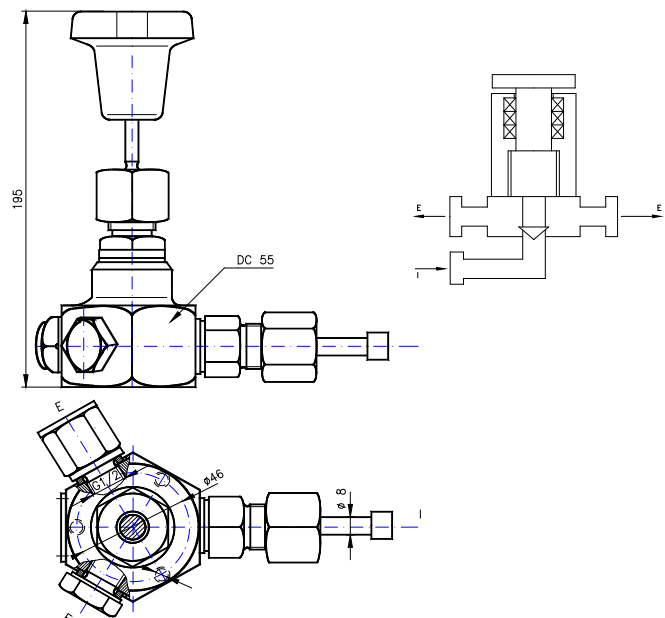
## VALVE FOR MANOMETERS WITH THREE-WAY type RM-00

### DESCRIPTION

Valve for manometers with three ways is a hand operating fitting, used to isolate or manometer connection at the non-corrosive fluid pipelines.

### TECHNICAL DATA

Nominal diameter : 4 mm  
Maxim working pressure : 100 bar  
Working temperature : (-30 ... +120)°C  
Connection type : inlet sleeve  $\phi 8/\phi 4$  ;  
: 2 parallel outlets G 1/2"  
Weight : 1,9 kg



## DIAPHRAGM TAP type RM 1/4"

### DESCRIPTION

The diaphragm rubber tap type RM 1/4" is a hand operating fitting which ensures the opening / closing circulation of working fluid flow .

### TECHNICAL DATA

Nominal diameter : 6 mm

Nominal pressure : 10 bar

Flow : 30 l/min

Working fluid :

a) A.M.C. instrumental air

b) technological air

c) water

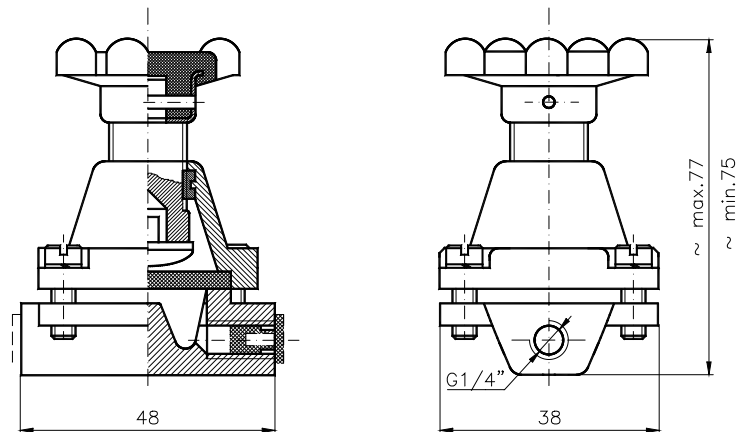
d) explosion-proof and non-corrosive gases

e) petroleum products

Materials: petroleum products resistant aluminium and rubber diaphragm

Working fluid temperature : (-30 ... +70)°C

Weight : 0.120 kg



## VALVE TAP type RV-8 (15, 20, 25, 40)

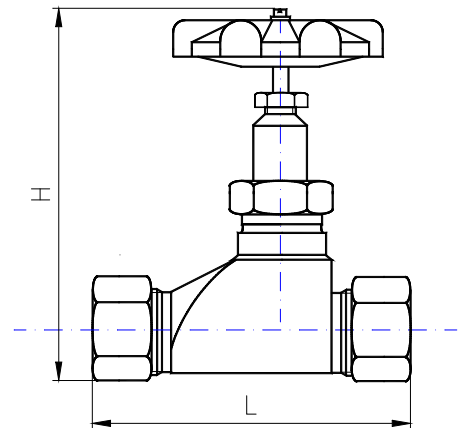
### DESCRIPTION

Valve tap with two ways for compressed air , with "ermeto " - type connection (for copper pipes) or welded connection (for steel pipes), is a hand operating fitting which ensure the opening / closing circulation of fluid - compressed air flow.

### TECHNICAL DATA

Nominal pressure : 16 or 32 bar

Compressed air temperature: (+5 ... +40)°C



| Type     | ND |        | L   | H   | Weight (kg) | Copper pipe dimension |            |
|----------|----|--------|-----|-----|-------------|-----------------------|------------|
|          | mm | inch   |     |     |             | ermeto (E)            | welded (S) |
| RV-8 E   | 8  | 1/4"   | 80  | 110 | 0,8         | φ10×1                 | -          |
| RV-15E/S | 15 | 1/2"   | 186 | 156 | 2,65        | φ18×1,5               | φ21×3      |
| RV-20E/S | 20 | 3/4"   | 220 | 240 | 6           | φ23×1,5               | φ27×3,5    |
| RV-25E/S | 25 | 1"     | 240 | 250 | 7           | φ28×1,5               | φ33×4      |
| RV-40E/S | 40 | 1 1/2" | 330 | 310 | 12          | φ42×2                 | φ48,5×4    |

## NEEDLE VALVE WITH TWO WAYS type Ra-3/8"-

### DESCRIPTION

The needle valve with two ways is a hand operating fitting, used in installations with compressed air flow - working fluid .

### TECHNICAL DATA

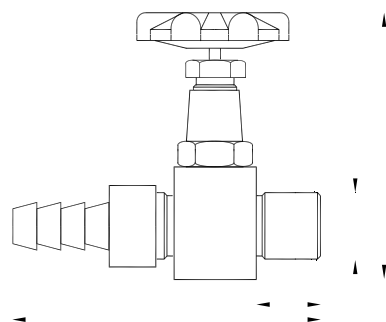
Nominal diameter : 5 mm

Nominal pressure : 10 bar

Working temperature : (+5 ... +40)°C

Connection type : G3/8" with / without connection hose

Weight : 0,3 kg



## NEEDLE VALVE type Ra-1/4" and Ra-1/2"

### DESCRIPTION

Needle valve is a hand operating fitting, used in installations with compressed air - working fluid.

### TECHNICAL DATA

Nominal diameter : 4 mm

Nominal pressure : 60 bar

Working fluid temperature : (-30 ... +60)°C

Connection type : G1/4" – for Ra-1/4" valve

: G1/2" – for Ra-1/2" valve

